

Replacing LaserPLUS and LaserSCANNER aspirators

When replacing the VESDA LaserPLUS (VLP) or VESDA LaserSCANNER (VLS) detector aspirators, follow the instructions below:

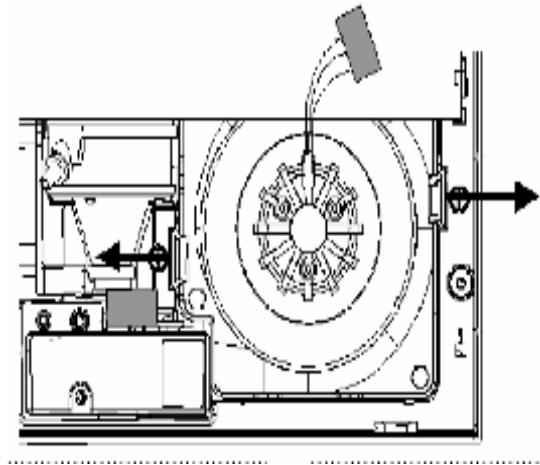
1. Isolate and power down the detector.
2. Open the front cover.
3. Locate and unplug the cable loom that connects from the head processor card (HPC) to one of the modules located on the front panel. Mark out this connector position, if unsure about the cabling.
4. Remove the air filter cartridge, refer to Figure 7, “*Removing Pipe Inlet Manifold during VLP and VLS chassis replacement,*” on page 16.

Figure 8: Removing the Air Filter Cartridge for VLP or VLS aspirator replacement

5. Remove the HPCs securing screw.

Warning: Hold the HPC at the edges. Static charges may damage it.

6. Remove the brown insulating sheet and lift up the HPC.
7. Locate the aspirator cable loom (red, white and blue wires) and disconnect the connector from the HPC.



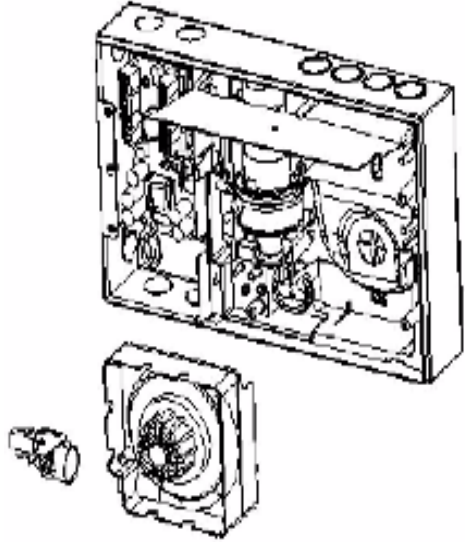
Legend	
A	Filter switch connector socket
B	Aspirator loom connector
C	Aspirator locking fingers
D	Move both locking fingers outwards
E	Aspirator (Lift upwards)

Figure 9: Removing the HPC and Disconnecting the aspirator cable loom

8. Locate the two plastic fingers securing the aspirator to the chassis (D) in Figure 9 above.

9. Push fingers outwards (E) and lift the aspirator out.

10. Remove the exhaust pipe elbow and filter card assembly (A) from the aspirator (B) as shown in Figure 10, *“Removing the Exhaust Pipe Elbow and Aspirator,”* on next page.



Legend	
A	Exhaust pipe elbow with filter card switch
B	Aspirator

Figure 10: Removing the Exhaust Pipe Elbow and Aspirator

11. Reattach the exhaust pipe elbow and filter card assembly (A) to the aspirator (B) exhaust outlet as shown in Figure 10 above.

12. Wipe the manifold outlet flange surface if dirty.

13. Slide the aspirator between the fingers until fingers lock over aspirator. Check that the aspirator does not come off when lifted.

14. Reconnect the aspirator cable loom to the cable socket on the HPC.

15. Secure the HPC to the chassis, ensuring that the card locks under the plastic fingers.

16. Place the insulating sheet over the HPC and secure it with the screw.

17. Re-attach the air filter cartridge.

18. Re-connect the cable loom to the module on the front panel.

19. Check that all wires are secured to the connectors or terminals.

20. Power up the detector and check the aspirator is running.

21. Close the detector, refer to Figure 4, *“Removing the VLP or VLS front cover for chassis replacement,”* on page 15 in Maintenance guide.

