
4.3 VESDAnet Socket Module

The VESDAnet Socket is a 15 Pin Female Connector. It enables external devices to be connected to VESDAnet. The hand-held LCD Programmer and the HLI are connected to VESDAnet using the VESDAnet Socket.

A VESDAnet socket is located on the detector termination card of VESDAnet capable detectors. However the VESDAnet Socket Module can be mounted onto a remote box or a 19" Subrack, enabling access to VESDAnet from a remote location.

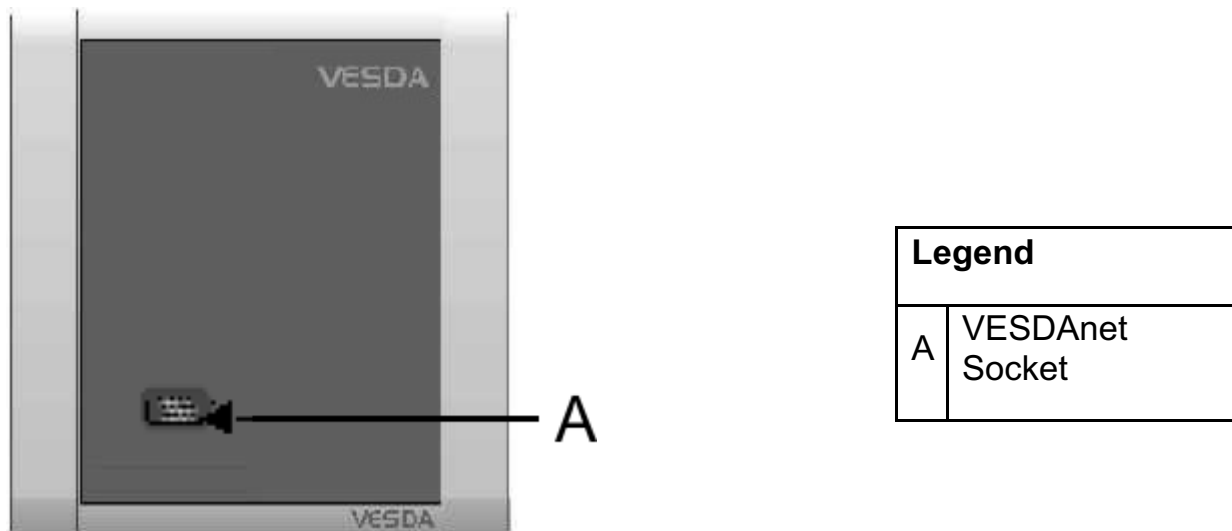


Figure 4-3: VESDAnet Socket Module

4.3.1 Dimensions

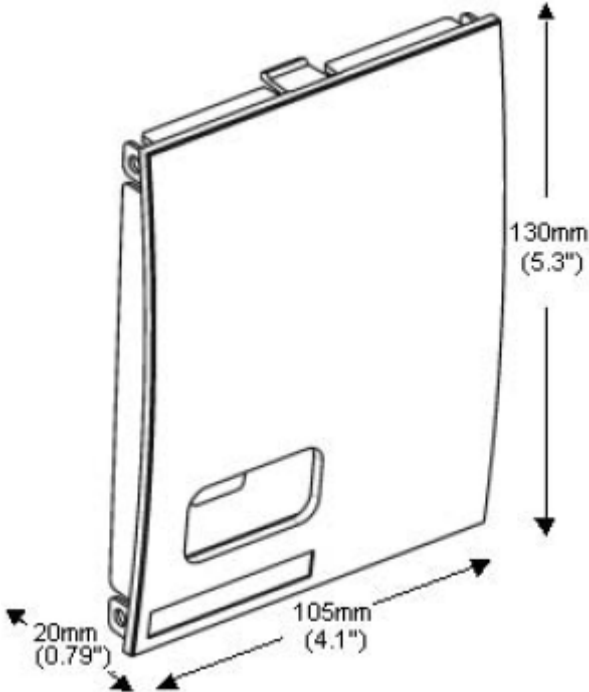
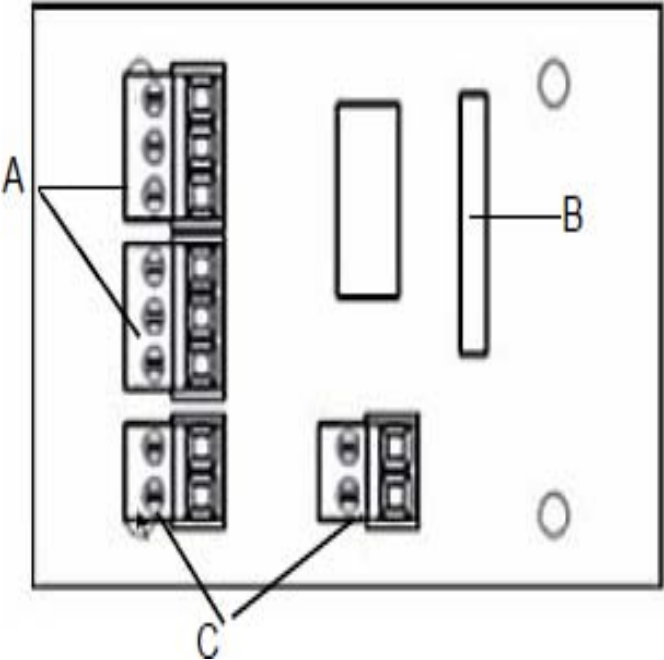


Figure 4-4: Dimensions of VESDAnet Module



Legend	
A	VESDAnet Terminals
B	10 Pin Connector
C	Power supply terminals

Figure 4-5: VESDAnet Interface Socket Card

4.3.2 Operation of VESDAnet Socket

The VESDAnet socket is connected to the (24 VDC) VESDAnet socket card. The terminals on the VESDAnet socket card enable VESDAnet communication wires to be brought into the VESDAnet socket module and looped out to another device. Data communication on VESDAnet is bidirectional. The polarity of the data wires must be maintained throughout the network. It is recommended that RS 485 (Belden 9841 - 120 ohm) twisted pair cables be used, however compatible cabling can be used.

Figure4-6: VESDAnetWiring(ClosedLoop)

