

SILENCER (PIP-039)

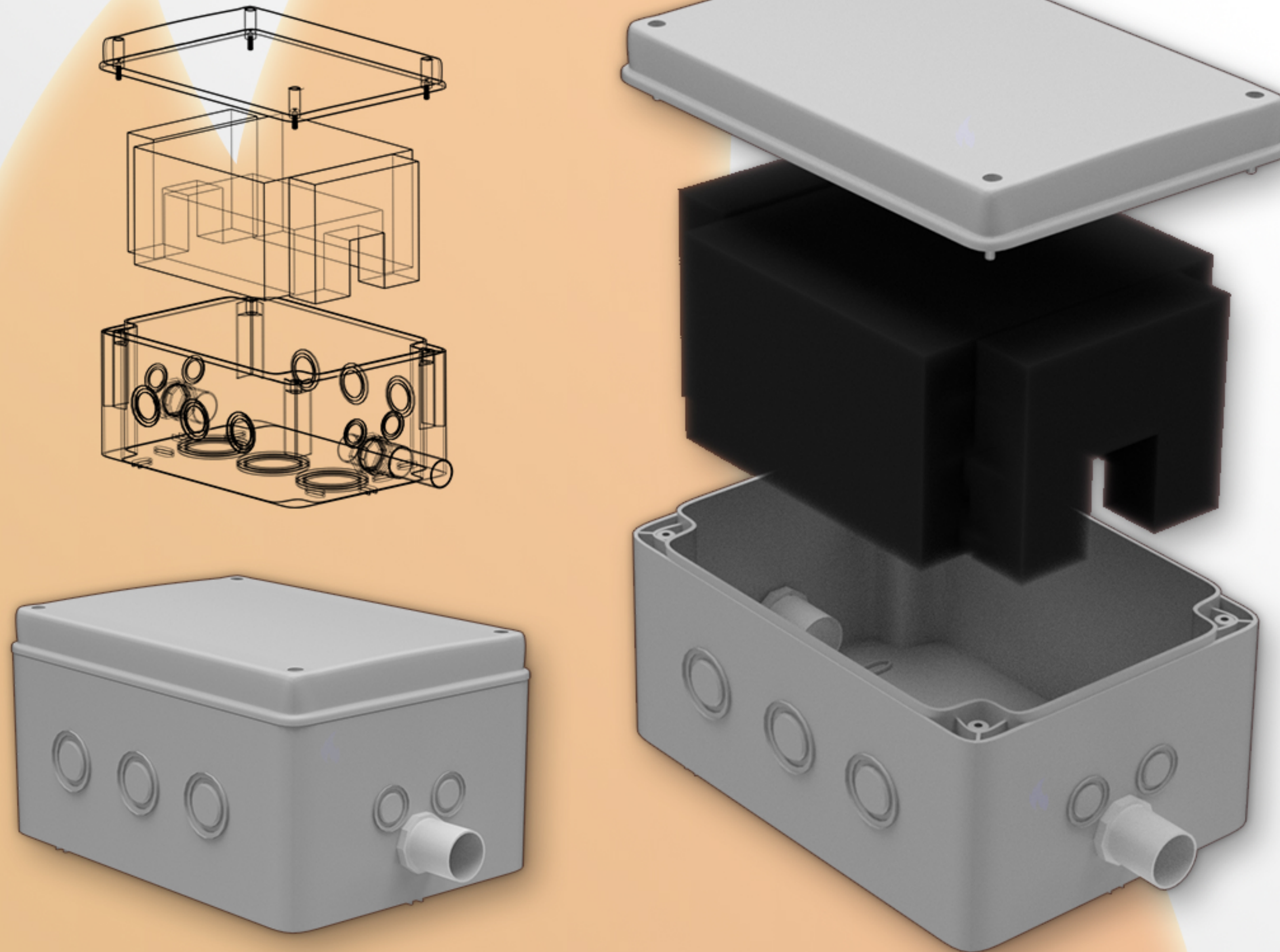
Sound suppressor for Vesda® detectors.
Reduces the exhaust noise for a more silent unit.

Installation Instructions:

Insert unit into the exhaust port.
Push fit only.
No glue required.

Part No.
Box Colour
Fitting Colour

PIP-039
GREY
WHITE



RAW MATERIAL DATA

POLYETHER POLYURETHANE - Acoustic Foam

Nominal piece density range:
23.5 - 25.5 kg/m³
Nominal hardness range:
110 - 150 N
Nominal tensile strength:
70 kPa min.
Nominal elongation at break:
120% min.
Test method BS4443 series and
BS EN ISO 845:1995

PVC-U

Density 1.35 - 1.45 g/cc
Softening point: Extrusions:
82°C BS 2792 Method 120 B
Mouldings:
74°C BS 2782 Method 120 B
Insoluble in water
Soluble in others:
Cyclohexanone, Tetrahydrofuran,
1,2 - Dichlorethane
Oxygen index: Approx. 45%

POLYCARBONATE

Density g/cm³ - 1.2
Test Method D792
Water Absorption, over 24 hrs (%) - 0.12
Test Method D570

Tensile Strength (psi) - 9500
Tensile Modulus (psi) - 320,000
Tensile Elongation at Break (%) - 60
Test Method D638

Flexural Strength (psi) - 15,000
Flexural Modulus (psi) - 375,000
Test Method D790

Max Operating Temp - 121°C

NOTE: The information contained herein are typical values intended for reference and comparison purposes only. They should NOT be used as a basis for design specifications or quality control.

Fire Suppression Limited
Unit 11, Eldonwall Trading Estate,
St.Phillips, Bristol, BS4 3QQ

Tel: 0845-127-9915
Fax: 0845-127-9959
sales@firesuppression.co.uk