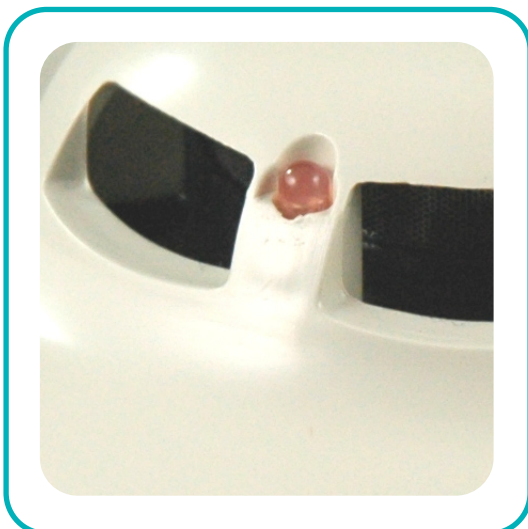


PHOTOELECTRIC SMOKE DETECTOR

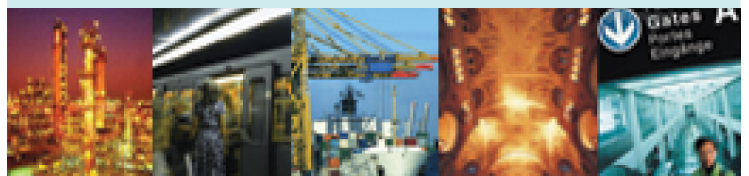


Model SLR-E3N is a Photoelectric Smoke Detector, which is fully compatible with the majority of existing Conventional systems. The SLR-E3N is available in ivory, white or black, the black version (with matching black base) is ideal for nightclubs and cinemas where attention to aesthetics is required.

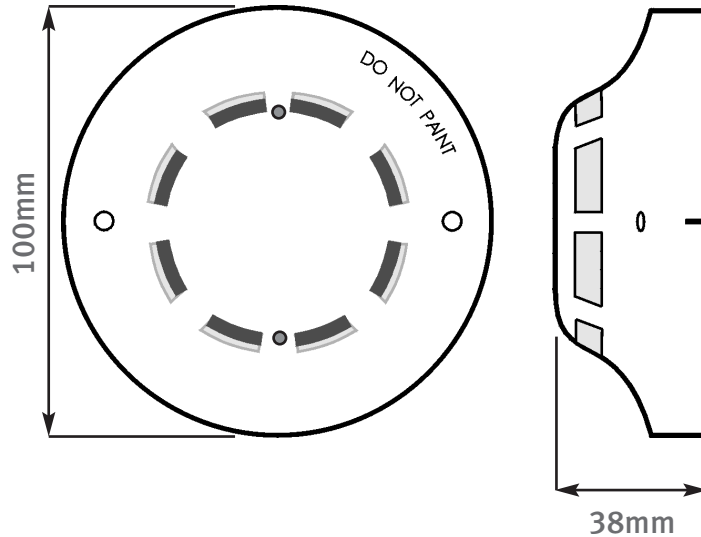
The SLR-E3N incorporates Hochiki's unique High Performance Chamber Technology removing the need to use Ionisation Smoke Detectors in the majority of applications. An integral third terminal provides a remote indicator output.

The smoke chamber is easily removed or replaced for cleaning and utilises a unique improved baffle design which allows smoke to enter the chamber whilst keeping out ambient light.

- ▶ Removable, High Performance chamber
- ▶ Remote Indicator output
- ▶ Wide voltage range (9.5 ~ 30Vdc)
- ▶ Low profile design with one piece outer cover
- ▶ Twin fire LEDs allow 360° viewing
- ▶ Range of mounting bases
- ▶ Approved by LPCB & VdS



DIMENSIONS



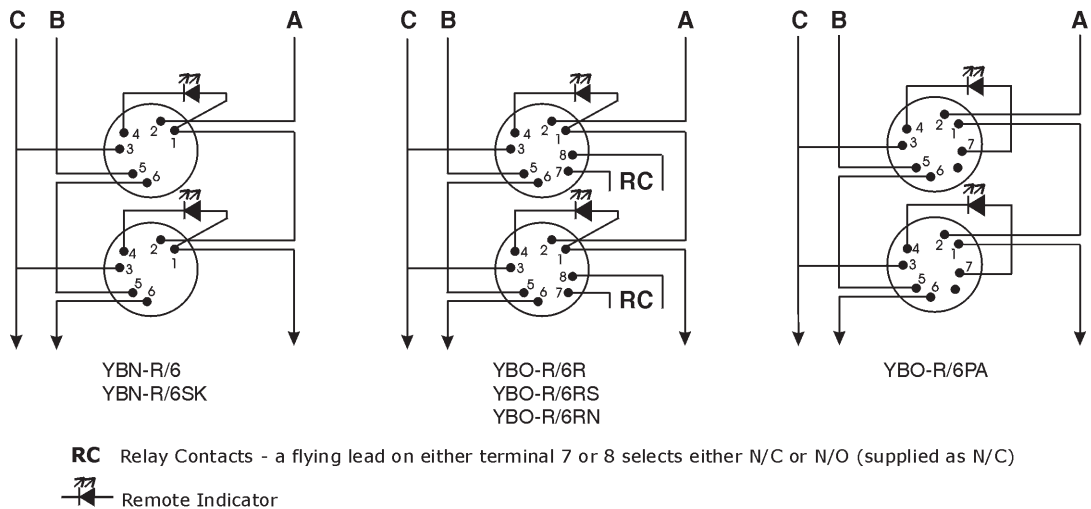
WIRING

KEY:

A Zone Wiring +ve

B Zone Wiring -ve

C Cable Screen



SPECIFICATION

Ordering Codes	Detector	SLR-E3N / SLR-E3N(WHT) / SLR-E3N(BLK)
Disposable Chamber	Replacement Chamber	SLV/ALK REPLACEMENT CHAMBER
Operating Voltage		9.5 - 30Vd.c.
Quiescent Current (typ)		35µA
Maximum Current Alarm		40mA
Remote Indicator Drive		20mA (max) / 9.5 - 14mA (typ)
Operating Temperature Range		-10°C to + 50°C
Storage Temperature Range		-30°C to + 60°C
Maximum Humidity		95% RH - Non Condensing (at 40°C)
Ingress Protection Rating		IP42
Colour / Case Material		Ivory, White or Black / ABS
Weight (g)		95 (excluding base)
Compatible Bases		YBN-R/6 YBO-R/6R, YBO-R/6RS YBN-R/6SK YBO-R/6RN, YBO-R/6PA
Base Heights (mm)		8 13
Base Fixing Centres (mm)		48 ~ 74
Approvals		LPCB EN54:2000 Part 7 VdS EN54:2000 Part 7 (G208040)

HOCHIKI EUROPE (UK) LIMITED
 Grosvenor Road, Gillingham Business Park,
 Gillingham, Kent, England ME8 0SA
 Telephone: +44 (0)1634 260133
 Facsimile: +44 (0)1634 260132
 e-mail (UK): sales@hochikieurope.com
 e-mail (Non UK): export@hochikieurope.com
 www.hochikieurope.com



Quality System
 Certificate No. 164
 Assessed to ISO9001



Environmental Management System
 Certificate No. EMS 286
 Assessed to ISO 14001 : 1996

Hochiki Europe (UK) Ltd. reserves the right to alter the specification of its products from time to time without notice. Although every effort has been made to ensure the accuracy of the information contained in this document it is not warranted or represented by Hochiki Europe (UK) Ltd. to be a complete and up-to-date description.

PART No. 9-5-0-378/ISS1/JUL08