

# Sigma XT Ancillaries

## Extinguishant Abort Button, Hold Off Unit & Keyswitch Units

### K13470M10 Abort Unit Features

- Large mushroom head pushbutton
- Twist to release latching action
- Compatible with all Sigma XT+ models
- Robust steel enclosure
- Surface or single gang flush mounting

### K91000M10 Hold Off Unit Features

- Shrouded pushbutton to prevent inadvertent operation
- Activation resistor included
- Compatible with all Sigma XT and Sigma XT+ models
- Robust steel enclosure
- Surface or single gang flush mounting

### K13520M10 Extract Switch Features

- Common "901" keyswitch
- Key trapped in operated position
- Compatible with all Sigma XT and Sigma XT+ models
- Robust steel enclosure
- Surface or single gang flush mounting

### K13480M10 Main/ Reserve Switch Features

- Common "901" keyswitch
- Key trapped in operated position
- Compatible with all Sigma XT and Sigma XT+ models
- Robust steel enclosure
- Surface or single gang flush mounting

### K13470M10 Abort Unit Product Overview

- The K13470M10 Abort unit provides a highly visible point to enable an immediate abort of a fire protection extinguishant release. The large red, domed pushbutton latches when pressed and requires a twist action to release. The robust enclosure allows for either surface mounting or mounting to a single gang flush box.

### K91000M10 Hold Off Unit Product Overview

- The K91000M10 Hold Off Unit provides a robust and convenient point to apply a temporary hold to release of fire protection extinguishant release. The robust pushbutton is shrouded to prevent accidental operation and is coloured to comply with the requirements of BS7273-1. Housed in an attractive surface mounting single gang enclosure, the unit is suitable for flush mounting to a standard single gang back box.

### K13520M10 Extract Switch Product Overview

- The K13520M10 Extract unit provides a convenient and secure means to operate extract fan plant associated with the fire protection extinguishing system. The "901" key is common to many fire detection and protection control panels and is retained in the operated position. The robust enclosure allows for either surface mounting or mounting to a single gang flush box.

### K13480M10 Main/ Reserve Switch Product Overview

- The K13480M10 Main/ Reserve switch provides a convenient and secure means to operate a switch to reserve extinguishing system agent where such provision is made as a back up to the main agent. The "901" key is common to many fire detection and protection control panels and is removable in either position. The robust enclosure allows for either surface mounting or mounting to a single gang flush box.



Model No. K13470M10



Model No. K91000M10



Model No. KB91000M10



Model No. K13480M10



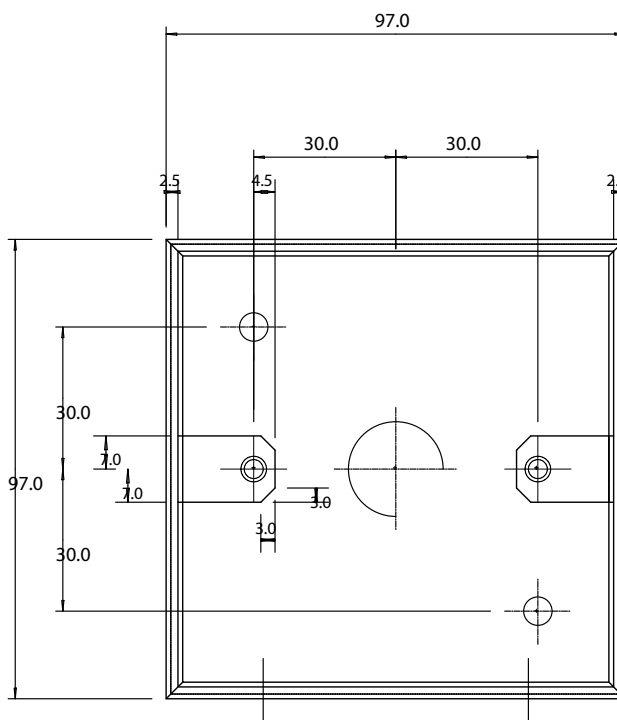
Model No. K13520M10

## Equipment

Product Code	Description	Size (mm)
K13470M10	System Abort Button Unit	97 x 97 x 50
K91000M10	Extinguishant hold off switch unit - green button	97 x 97 x 50
KB91000M10	Extinguishant hold off switch unit - red button	97 x 97 x 50
K13520M10	Extinguishant Extract Keyswitch Unit	97 x 97 x 50
K13480M10	Main/ Reserve Duty Extinguishant Keyswitch Unit	97 x 97 x 50

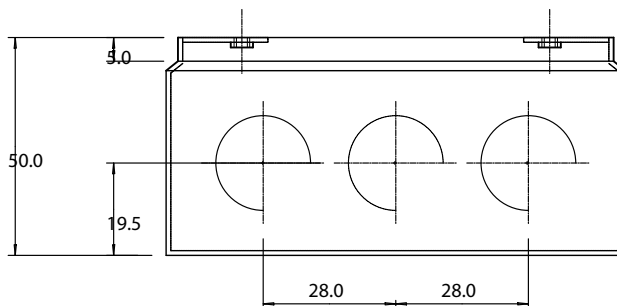
### K13470M10 Technical

<b>Construction</b>	- 1.2mm mild sheet steel
<b>IP Rating</b>	- IP30
<b>Colour - lid &amp; box</b>	- BS 00 A 05 grey - fine texture
<b>Weight</b>	- Less than 1kg
<b>Switch Rating</b>	- 30V DC 2.5A
<b>Operating Temperature</b>	- -5°C to +40°C
<b>Knockouts</b>	- 20mm



### K91000M10 & KB91000M10 Technical

<b>Construction</b>	- 1.2mm mild sheet steel
<b>IP Rating</b>	- IP30
<b>Colour - lid &amp; box</b>	- BS 00 A 05 grey - fine texture - (K91000M10) - White (KB91000M10)
<b>Weight</b>	- 1kg
<b>Contacts</b>	- 1 N.O and 1 N.C
<b>Trigger resistor</b>	- 470R 1 Watt



### K13520M10 & K13480M10 Technical

<b>Construction</b>	- 1.2mm mild sheet steel
<b>IP Rating</b>	- IP30
<b>Colour - lid &amp; box</b>	- BS 00 A 05 grey - fine texture
<b>Weight</b>	- Less than 1kg
<b>Switch Rating</b>	- 30V DC 1.0A
<b>Operating Temperature</b>	- -5°C to +40°C
<b>Knockouts</b>	- 20mm