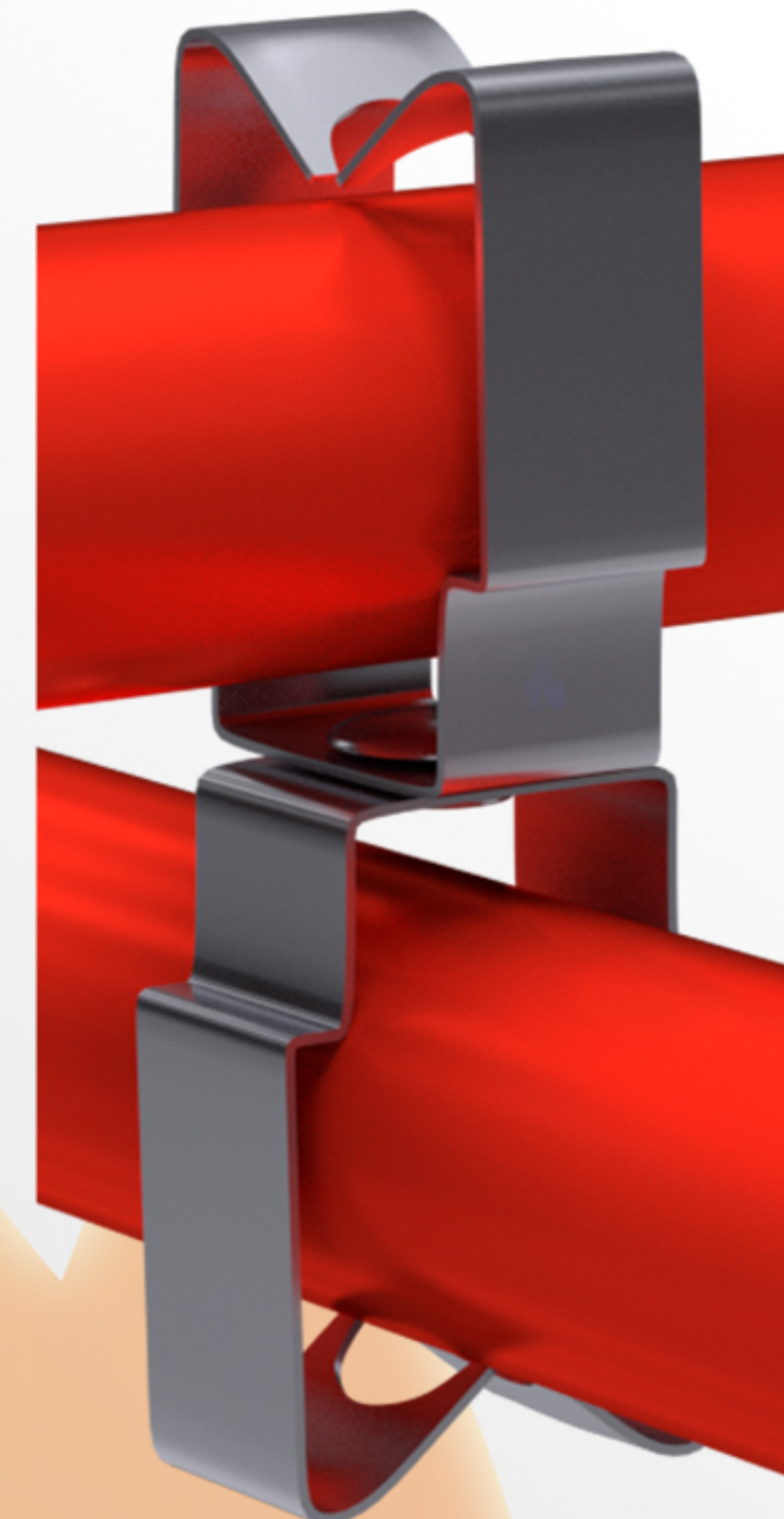
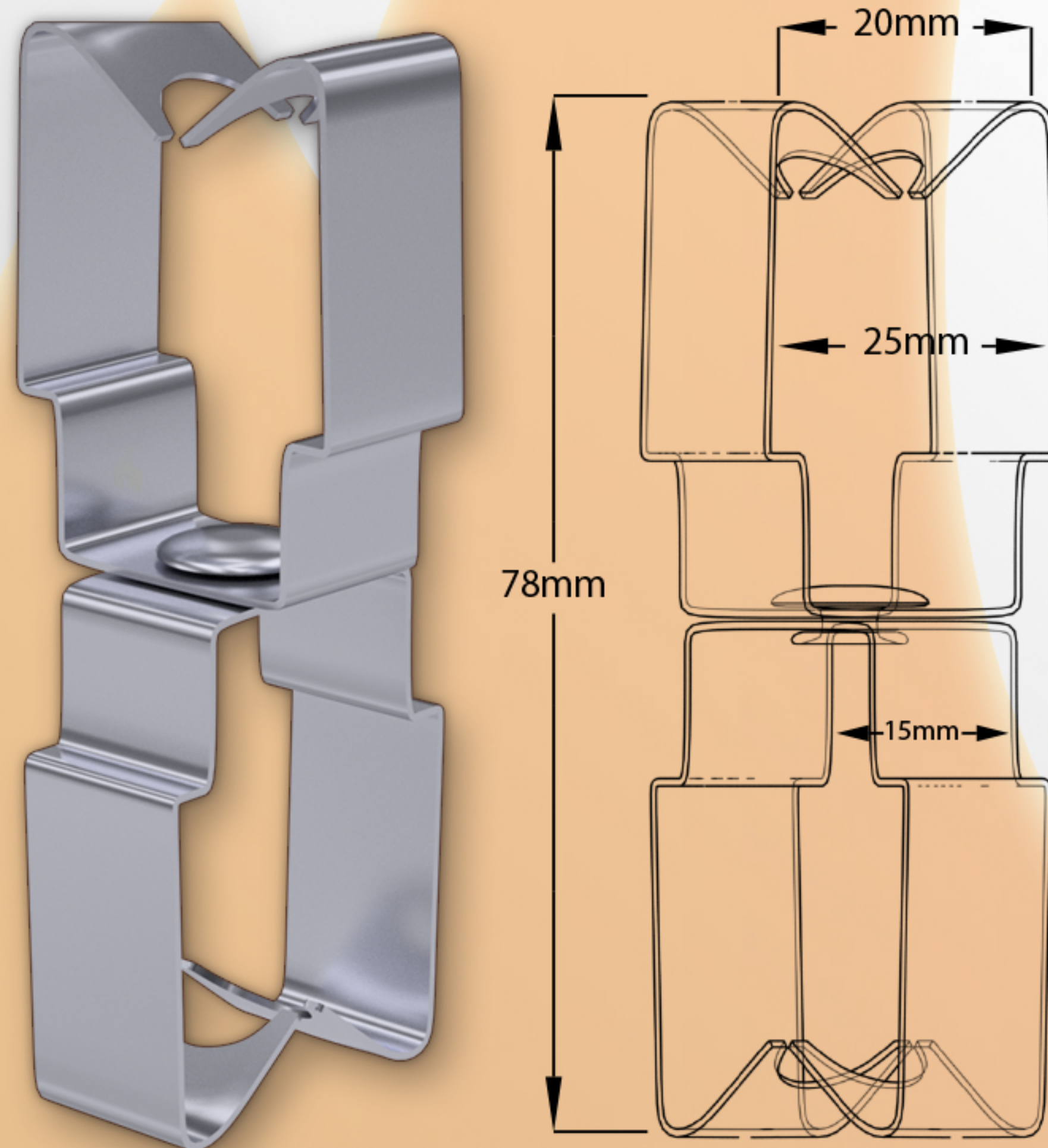


# DOUBLE RUN CONDUIT (CC75-75)

For the installation of  
multi-directional air sampling pipe.  
360° clip swivel.



**Part No.**  
**Clip Material**  
**Diameter**

**CC75-75**  
**SPRING STEEL**  
**25-27mm**

### RAW MATERIAL DATA

Spring Steel (Type C570)

Surface treatment: Delta-Tone 9000  
(480 hours)

Yield Point -  
407 - 426 N / QMM

Tensile Strength -  
576 - 590 N / QMM

Elongation A80 -  
21.8 - 25.8 %

Hardness HV -  
167 - 171

Melt Chemistry  
No. 5843

C	- 0.726
SI	- 0.259
MN	- 0.650
P	- 0.013
S	- 0.001
AL	- 0.006
CR	- 0.073
MO	- 0.007
NI	- 0.047

### Quality and Dimension

Cold rolled steel strip  
C675 LC MA-RL NK  
EN 10132-4 / EN 10140  
or as shown below  
HV 185 max.  
In coils, oiled, id 500 mm, od max.  
1.050 mm, coilweight max. 3.000 kg,  
Poly wrapped, on wooden skids,  
bundleweight max. 5.000 kg

1.00 x 547	mm
Thickness tol. +/- 0.030	mm
Width tol. +5/-0	mm

Incoterms 2010: DAP  
Tariff-no. 72112900

Inspection certificate 3.1  
Acc. DIN EN 10 204  
No. 91571 / 011

For use with static loads only.

Fire Suppression Limited  
Unit 11, Eldonwall Trading Estate,  
St.Phillips, Bristol, BS4 3QQ

Tel: 0845-127-9915  
Fax: 0845-127-9959  
sales@firesuppression.co.uk