

## 90° SHARP BEND

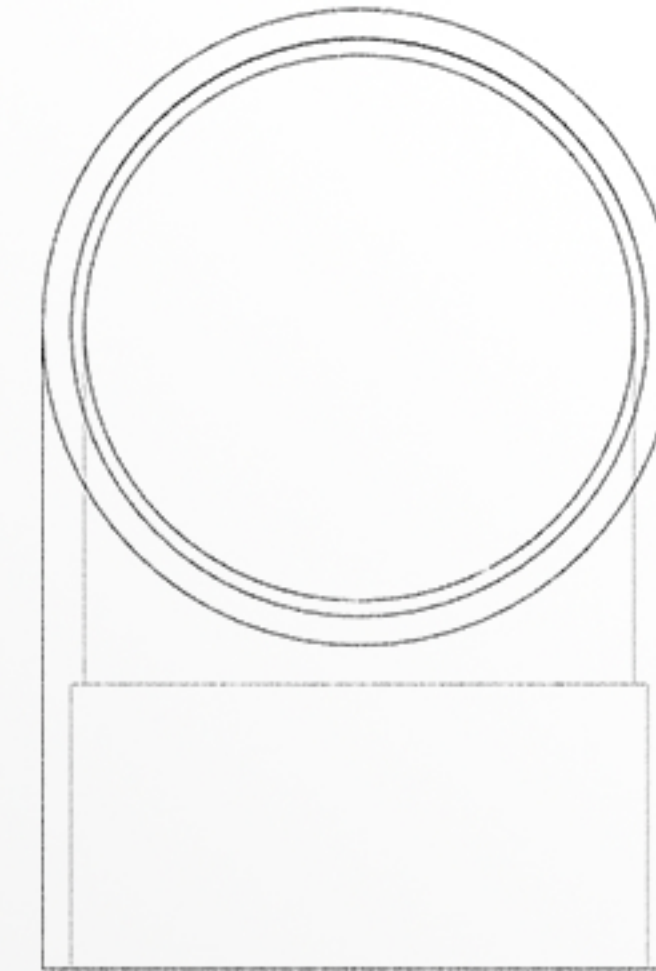
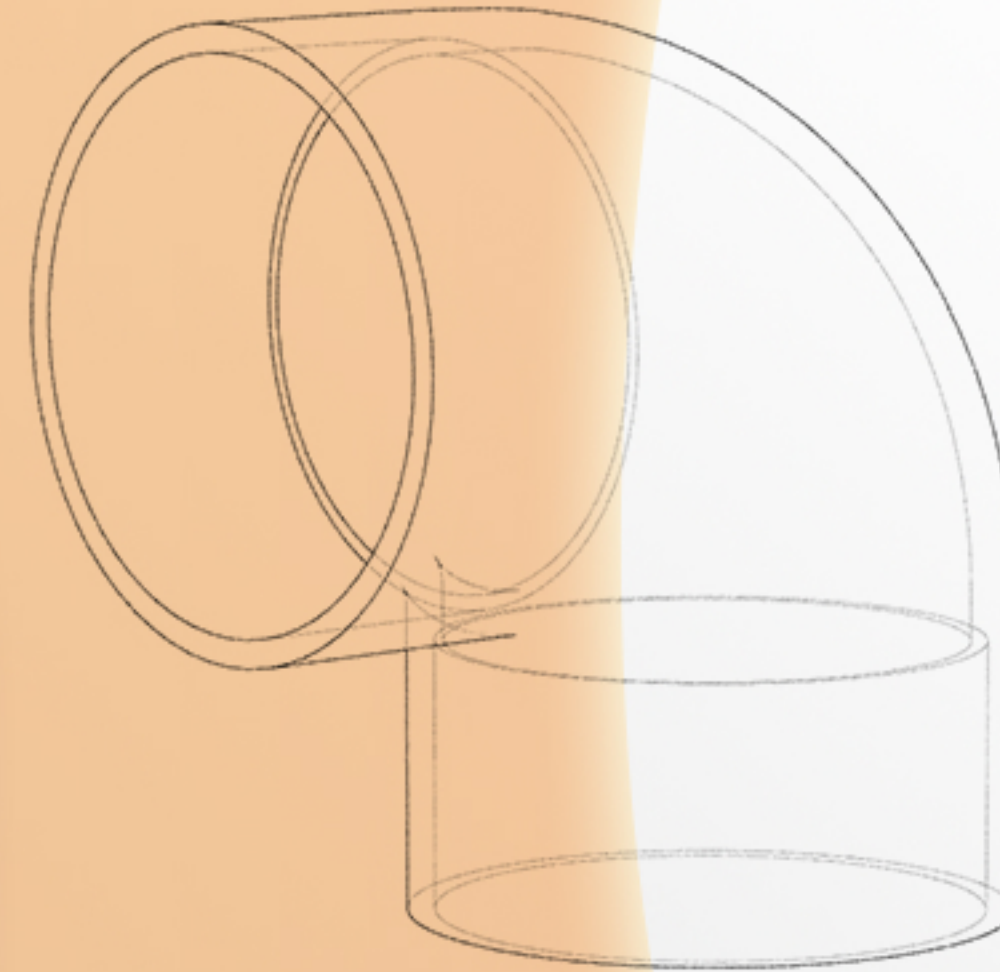
(PIPG-017 - 25mm)

Designed for changing the direction of a pipe run at 90° on an aspirating smoke detection pipe network. Pipe is designed for aspirating fire detection only.

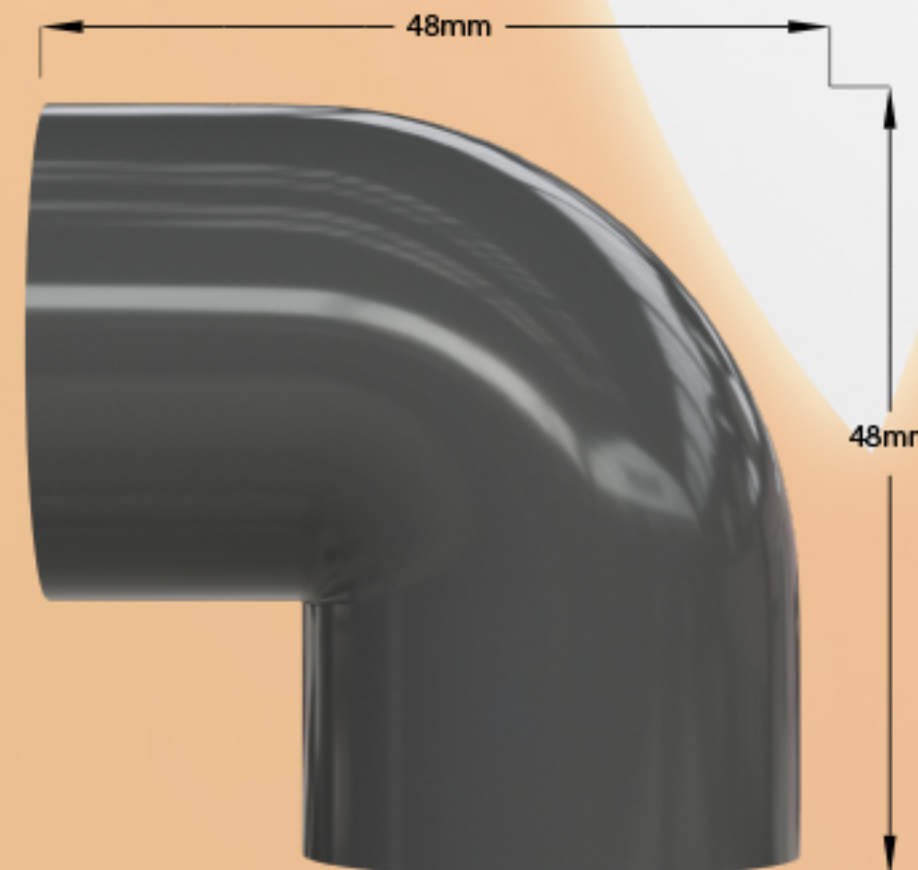
### Installation Instructions:

Use the correct solvent Plusbond 3019.  
Do not paint.  
Keep pipe clean and free from dust.  
Do not install in direct sunlight.  
Only install with approved pipe.  
Do not use solvents to clean, only soapy water.

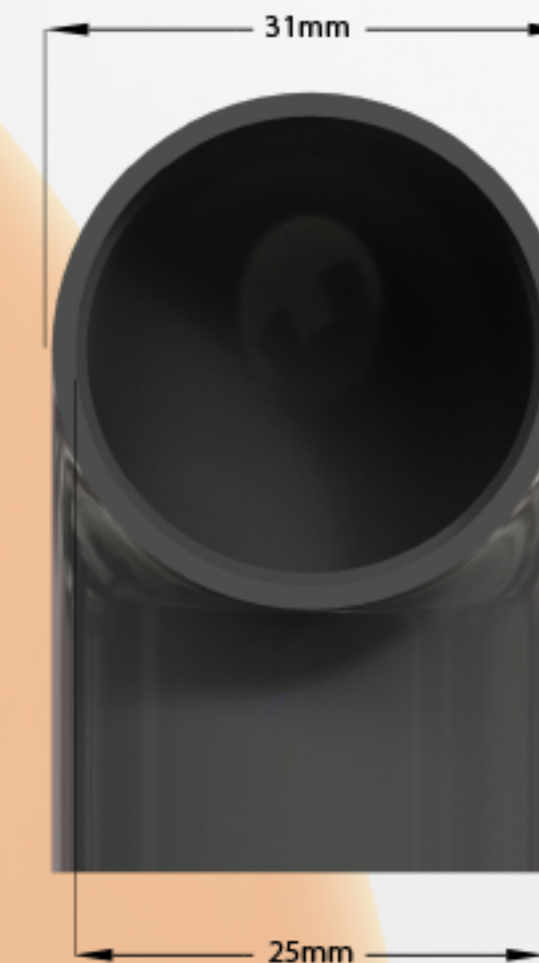
**Part No.** PIPG-017  
**Pipe colour** GREY  
**Diameter Tolerance** +/- 0.15mm



Side Elevation



Front Elevation



### RAW MATERIAL DATA

**Kumho ABS 750**  
**Acrylonitrile Butadiene Styrene**

**Physical:**  
Specific Gravity 1.04  
Test Method ASTM D792

Melt Mass - Flow Rate (MFR)  
200°C/21.6 kg 47 g/10 min  
200°C/5.0 kg 4.1 g/10 min  
220°C/10.0 kg 34 g/10 min  
Test Method ASTM D1238

Molding Shrinkage -  
Flow 0.0040 to 0.0070 in/in  
Test Method ASTM D955

**Mechanical:**  
Tensile Strength  
Yield, 73°F (23°C)  
1.97 in (50.0mm)  
6670 psi  
Test Method ASTM D638

**Tensile Elongation**  
Yield, 73°F (23°C)  
1.97 in (50.0 mm), 15%  
Test Method ASTM D638

**Flexural Modulus**  
Yield, 73°F (23°C)  
0.118 in (3.00 mm)  
312000 psi  
Test Method ASTM D638

**Flexural Strength**  
Yield, 73°F (23°C)  
0.118 in (3.00 mm)  
9230 psi  
Test Method ASTM D790

**Impact**  
Notched Izod Impact  
73°F(23°C), 0.126 in (3.20 mm), 5.5 ft-lb/in  
73°F(23°C), 0.252 in (6.40 mm), 4.8 ft-lb/in  
Test Method ASTM D256

**Hardness**  
Rockwell Hardness (R-Scale) 108  
Test Method ASTM D785

**Thermal**  
Deflection Temperature Under Load  
264 psi (1.8 MPa), Unanneald 185°F/85°C  
Test Method ASTM D648

Vicat Softening Temperature 203°F/95°C  
Test Method ASTM D1525

**Flamibility**  
Flame Rating  
0.0630 in (1.60 mm) HB  
0.0866 in (2.20 mm) HB  
0.126 in (3.20 mm) HB  
Test Method UL 94

**Fire Suppression Limited**  
Unit 11, Eldonwall Trading Estate,  
St.Phillips, Bristol, BS4 3QQ

**Tel: 0845-127-9915**  
**Fax: 0845-127-9959**  
**sales@firesuppression.co.uk**