

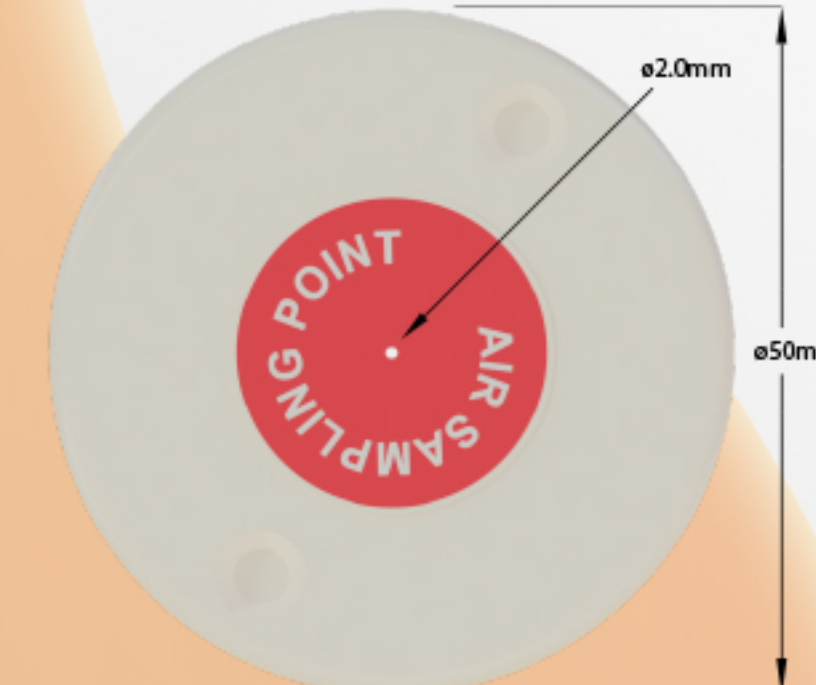
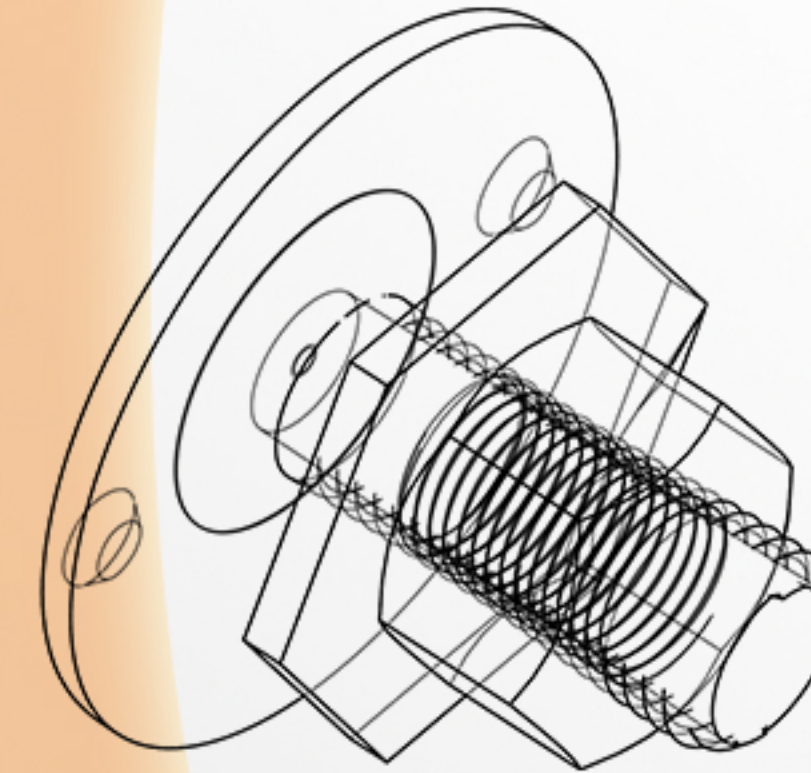
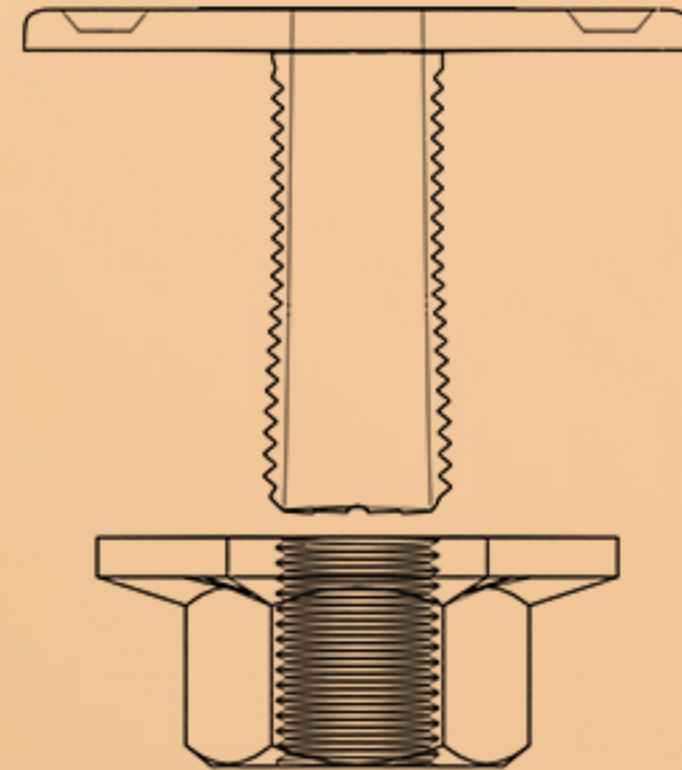
FLUSH HEAD (ABS019F-HO)

Sold either as part of a flush sampling kit (ABS019F) or individually, it is used to fix to a ceiling tile with the nut or washer (supplied) to sample air. the 10mm OD nylon tubing is a push fit to the top of the flush head which links it to the capillary T piece.

Installation Instructions:

Do not paint.
Keep pipe clean and free from dust.
Do not install in direct sunlight.
Only install with approved pipe.
Do not use solvents to clean, only soapy water.

Part No. ABS019F-HO
Pipe colour RED
Diameter Tolerance +/- 0.15mm



RAW MATERIAL DATA

Kumho ABS 750
Acrylonitrile Butadiene Styrene

Physical:
Specific Gravity 1.04
Test Method ASTM D792

Melt Mass - Flow Rate (MFR)
200°C/21.6 kg 47 g/10 min
200°C/5.0 kg 4.1 g/10 min
220°C/10.0 kg 34 g/10 min
Test Method ASTM D1238

Molding Shrinkage -
Flow 0.0040 to 0.0070 in/in
Test Method ASTM D955

Mechanical:
Tensile Strength
Yield, 73°F (23°C)
1.97 in (50.0mm)
6670 psi
Test Method ASTM D638

Tensile Elongation
Yield, 73°F (23°C)
1.97 in (50.0 mm), 15%
Test Method ASTM D638

Flexural Modulus
Yield, 73°F (23°C)
0.118 in (3.00 mm)
312000 psi
Test Method ASTM D638

Flexural Strength
Yield, 73°F (23°C)
0.118 in (3.00 mm)
9230 psi
Test Method ASTM D790

Impact
Notched Izod Impact
73°F(23°C), 0.126 in (3.20 mm), 5.5 ft-lb/in
73°F(23°C), 0.252 in (6.40 mm), 4.8 ft-lb/in
Test Method ASTM D256

Hardness
Rockwell Hardness (R-Scale) 108
Test Method ASTM D785

Thermal
Deflection Temperature Under Load
264 psi (1.8 MPa), Unannealed 185°F/85°C
Test Method ASTM D648

Vicat Softening Temperature 203°F/95°C
Test Method ASTM D1525

Flamibility
Flame Rating
0.0630 in (1.60 mm) HB
0.0866 in (2.20 mm) HB
0.126 in (3.20 mm) HB
Test Method UL 94

RAW MATERIAL DATA

Nylon

NFM 10x7.5 -
OD Tol's +0.03/-0.09mm
Burst Pressure 995 PSI / 68 bar
Bend Radius 40mm
Weight/30m 1.08kgs

NEM 10x8 -
OD Tol's +0.02/-0.10mm
Burst Pressure 772 PSI / 53 bar
Bend Radius 50mm
Weight/30m 0.87kgs

Temperature Range -
-40°C to +70°C, Occasional use up to
+130°C, Brittle point: -70°C

Technical information for use as
a guide only.

Pressure values given are based on
the short term burst pressure at 20°C
based on a 3:1 safety factor.
Any increase in temperature above
20°C will result in a decline in working
pressure values.

Products and specifications are subject
to improvements and change without
notice.

Fire Suppression Limited
Unit 11, Eldonwall Trading Estate,
St. Phillips, Bristol, BS4 3QQ

Tel: 0845-127-9915
Fax: 0845-127-9959
sales@firesuppression.co.uk