

# END CAP ADAPTOR

## (ABSG021 - 25mm)

The capillary end cap is used when it is necessary to sample air not only in the pipe run, but also at the end of the pipe run.

It fits directly onto the end of the 25mm pipe.

There is a 10mm hole in the end cap, which attaches normally to a 10mm OD nylon tube of a pre-determined length to which it is possible to attach either a discrete flush or a conical sampling head.

### Installation Instructions:

Use the correct solvent Plusbond 3019.

Do not paint.

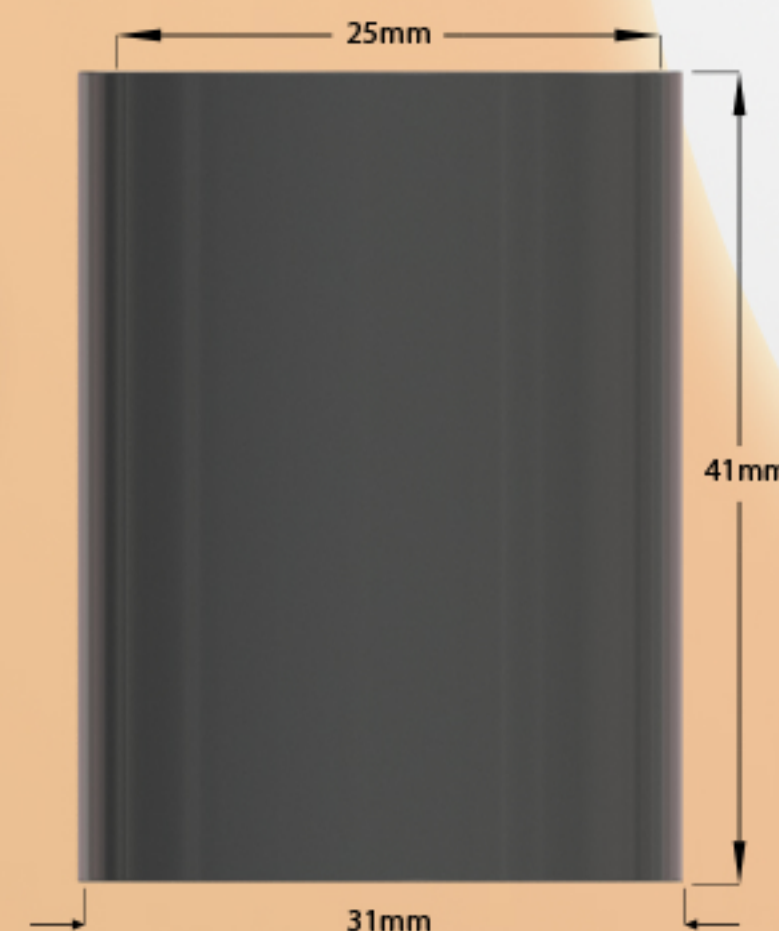
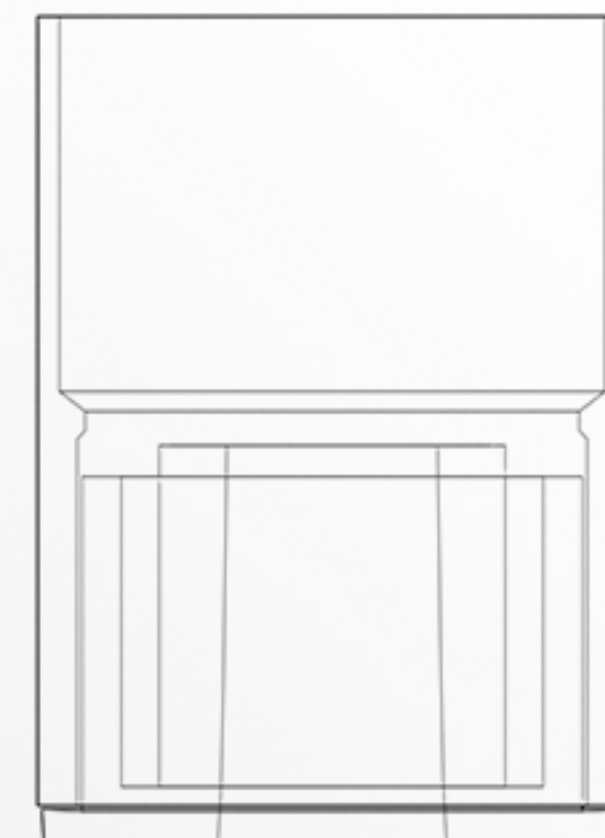
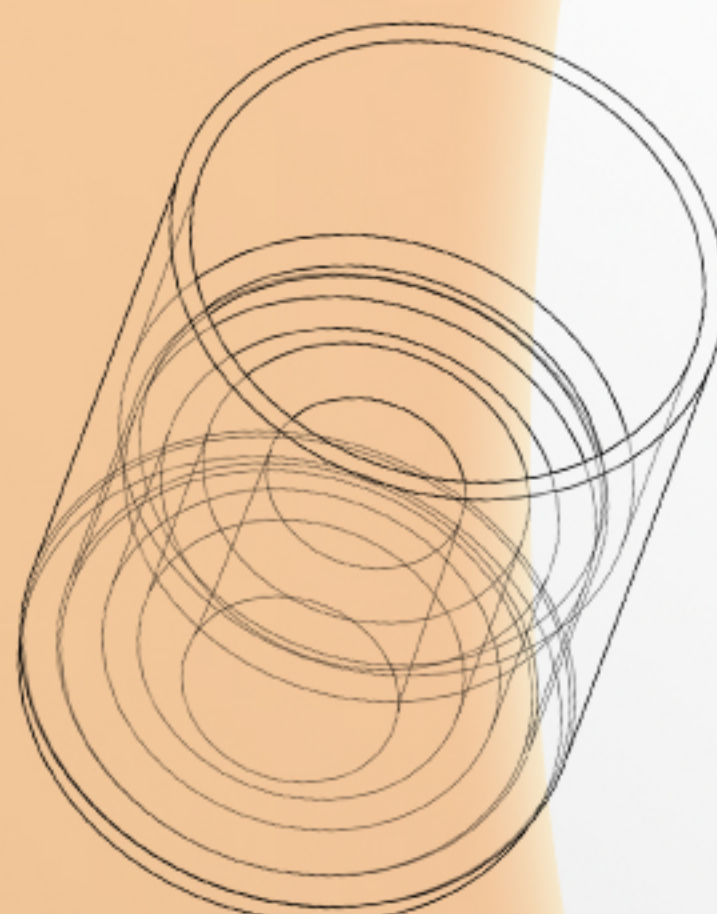
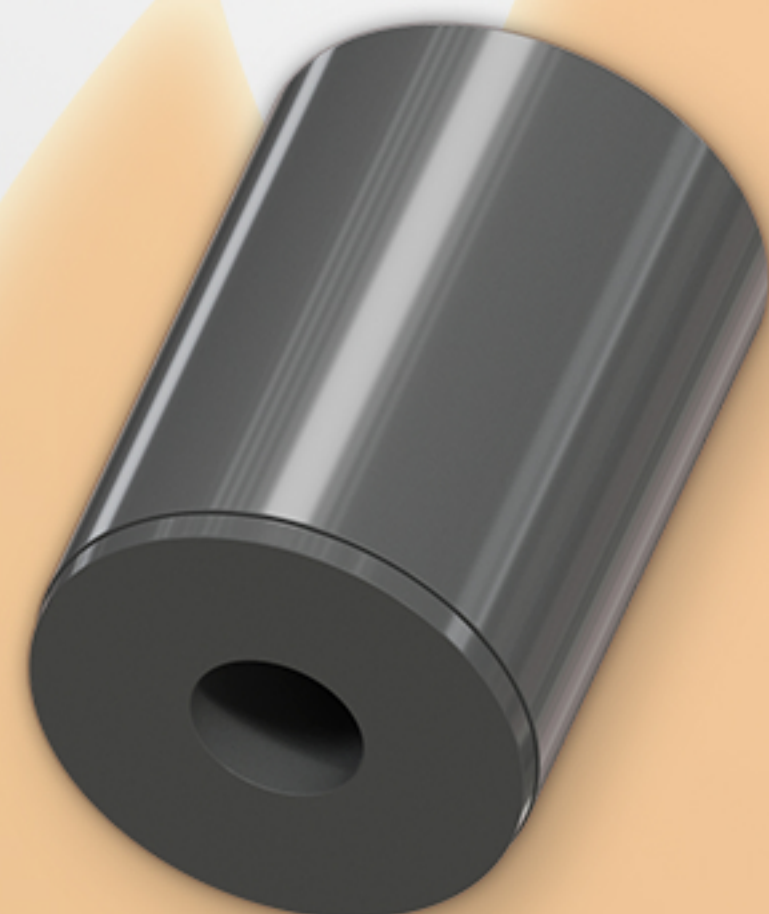
Keep pipe clean and free from dust.

Do not install in direct sunlight.

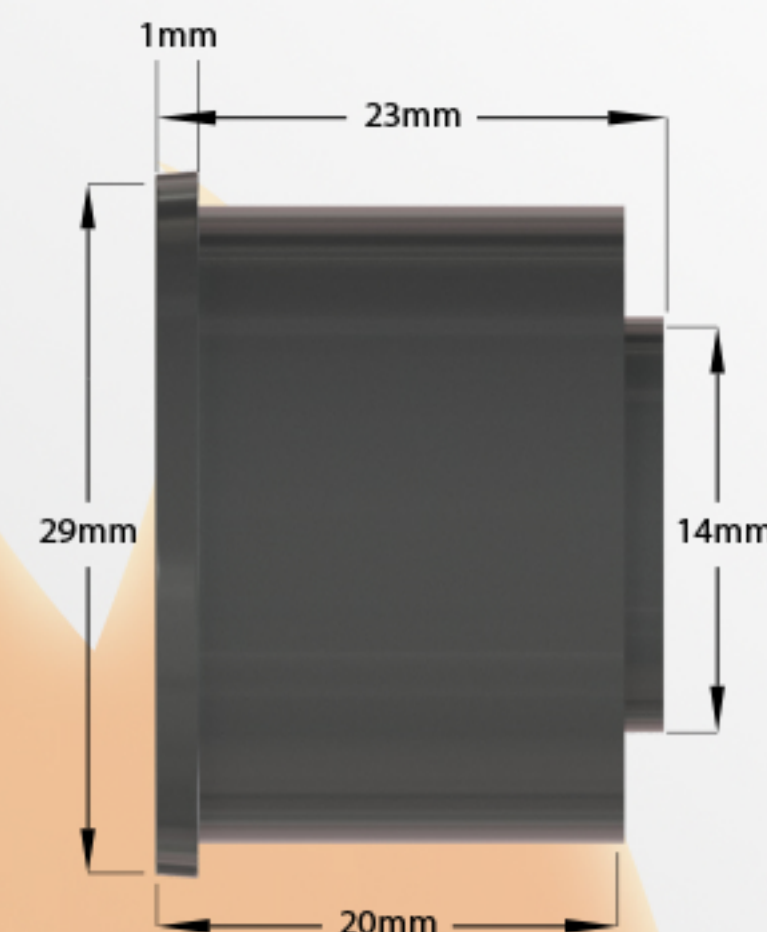
Only install with approved pipe.

Do not use solvents to clean, only soapy water.

<b>Part No.</b>	<b>ABSG021 - 25mm</b>
<b>Fitting Color</b>	<b>GREY</b>
<b>Diameter Tolerance</b>	<b>+/- 0.15mm</b>



Jointing Socket



Capillary Adaptor

#### RAW MATERIAL DATA

**Kumho ABS 750**  
Acrylonitrile Butadiene Styrene

#### Physical:

Specific Gravity 1.04  
Test Method ASTM D792

Melt Mass - Flow Rate (MFR)  
200°C/21.6 kg 47 g/10 min  
200°C/5.0 kg 4.1 g/10 min  
220°C/10.0 kg 34 g/10 min  
Test Method ASTM D1238

Molding Shrinkage -  
Flow 0.0040 to 0.0070 in/in  
Test Method ASTM D955

#### Mechanical:

Tensile Strength  
Yield, 73°F (23°C)  
1.97 in (50.0mm)  
6670 psi  
Test Method ASTM D638

#### Tensile Elongation

Yield, 73°F (23°C)  
1.97 in (50.0 mm), 15%  
Test Method ASTM D638

#### Flexural Modulus

Yield, 73°F (23°C)  
0.118 in (3.00 mm)  
312000 psi  
Test Method ASTM D638

#### Flexural Strength

Yield, 73°F (23°C)  
0.118 in (3.00 mm)  
9230 psi  
Test Method ASTM D790

#### Impact

Noched Izod Impact  
73°F(23°C), 0.126 in (3.20 mm), 5.5 ft-lb/in  
73°F(23°C), 0.252 in (6.40 mm), 4.8 ft-lb/in  
Test Method ASTM D256

#### Hardness

Rockwell Hardness (R-Scale) 108  
Test Method ASTM D785

#### Thermal

Deflection Temperature Under Load  
264 psi (1.8 MPa), Unanneal 185°F/85°C  
Test Method ASTM D648

Vicat Softening Temperature 203°F/95°C  
Test Method ASTM D1525

#### Flamibility

Flame Rating  
0.0630 in (1.60 mm) HB  
0.0866 in (2.20 mm) HB  
0.126 in (3.20 mm) HB  
Test Method UL 94

Fire Suppression Limited  
Unit 11, Eldonwall Trading Estate,  
St.Phillips, Bristol, BS4 3QQ

Tel: 0845-127-9915  
Fax: 0845-127-9959  
sales@firesuppression.co.uk