

PIPE CLIP

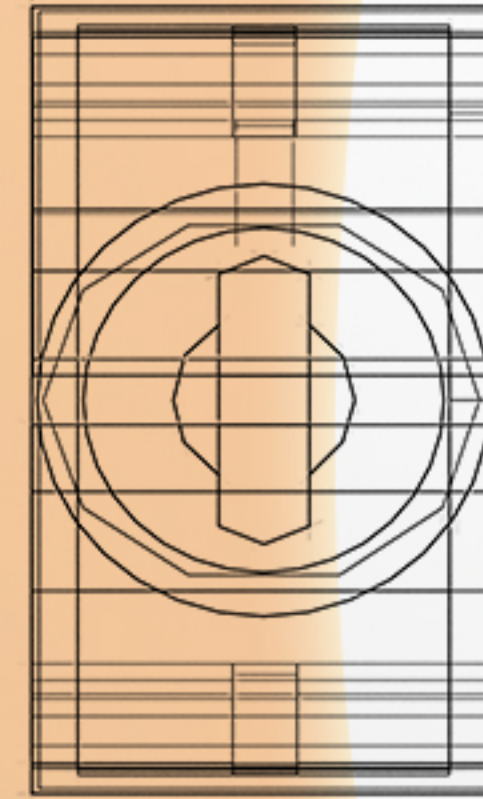
(WABS004 - 25/27mm)

Aspirating smoke detection pipe clip, Designed to support both 25mm and 27mm aspirating detection smoke pipe. The clip has a flexible side wall which allows the clip to open wide enough to allow the pipe to be placed within its circular cavity. The clip secures the pipe when closed. The clip can be reopened by using a flat edged tool to wedge open the top of the clip which releases the pipe. Please note that more the clip is opened and closed, slight discoloration may appear on the side wall

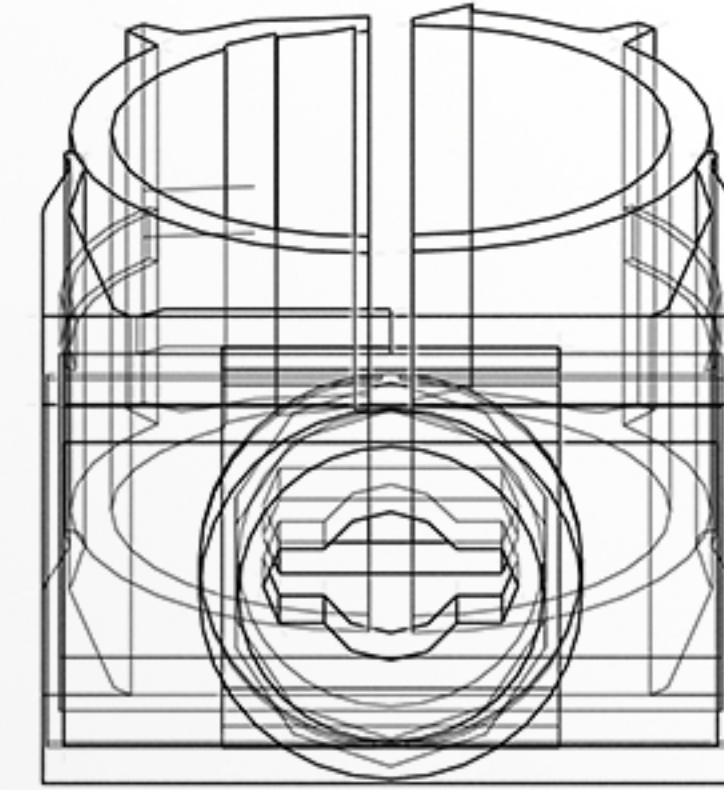
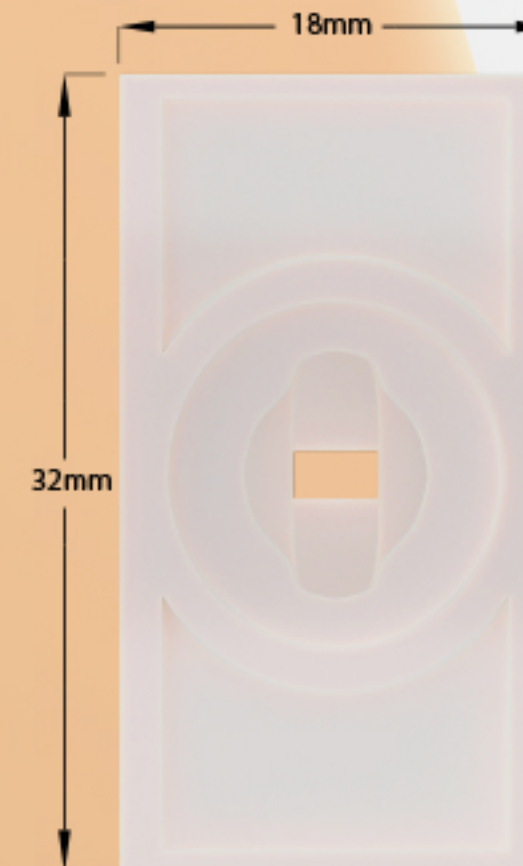
Installation Instructions:

For use to fix to any flat surface (Wall, Ceiling, Floor etc.)
Do not install in direct sunlight.
Pipe clips are required every 800mm along the length of pipe.
Only install with approved fittings and EN54-20 ABS Pipe.
Do not use solvents to clean, only soapy water.
When ambient temperatures are outside 15°C-25°C use pipe expansion joints.

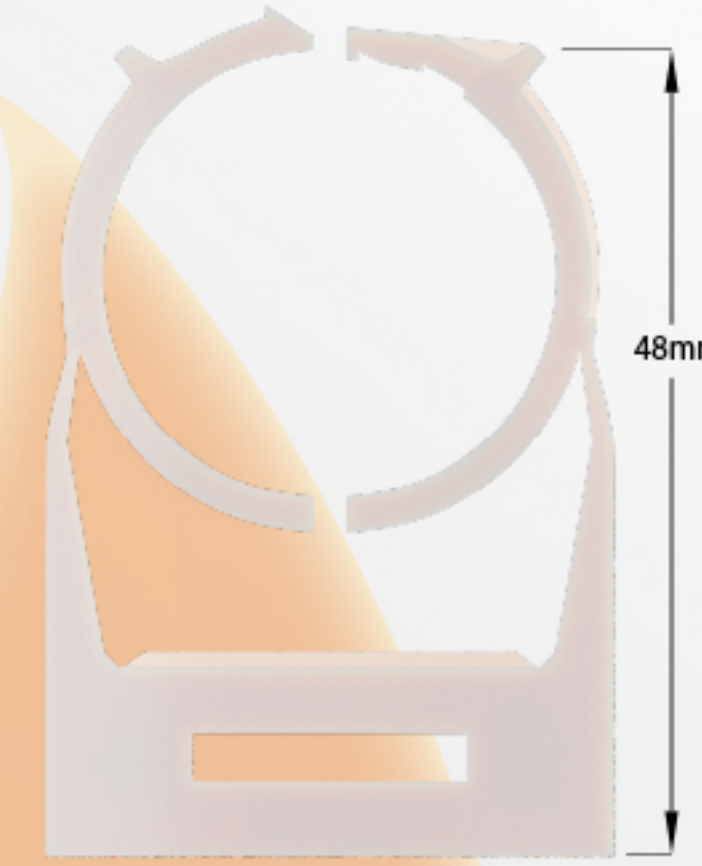
Part No. WABS004
Fitting Colour WHITE
Diameter Tolerance +/- 0.15mm



Bottom Elevation



Front Elevation



RAW MATERIAL DATA

Polypropylene Tatren IM 55 80

MFR (230°C/2.16kg)
Test Method: ISO 1133-1
Unit: g/10 min
Typical Value: 55

Tensile Stress at Yield*
Test Method: ISO 527-1,2
Unit: MPa
Typical Value: 23

Tensile Strain at Yield*
Test Method: ISO 527-1,2
Unit: %
Typical Value: 4

Modulus of Elasticity in Tension*
Test Method: ISO 527-1,2
Unit: MPa
Typical Value: 1500

Flexural Modulus*
Test Method: ISO 178
Unit: MPa
Typical Value: 1450

Izod Impact Strength Notched, 23°C*
Test Method: ISO 180/A
Unit: kJ/m²
Typical Value: 7

Izod Impact Strength Notched, -20°C*
Test Method: ISO 180/A
Unit: kJ/m²
Typical Value: 4

HDT 0.45 MPa*
Test Method: ISO 75-1,2
Unit: °C
Typical Value: 105

Rockwell Hardness*
Test Method: ISO 2039/2
Unit: R Scale
Typical Value: 82

Typical properties, not to be used as specification.

* Average mechanical property values of several measurements carried out on standard injection-moulded test specimens prepared in accordance with ISO 1873-2.

Fire Suppression Limited
Unit 11, Eldonwall Trading Estate,
St. Phillips, Bristol, BS4 3QQ

Tel: 0845-127-9915
Fax: 0845-127-9959
sales@firesuppression.co.uk